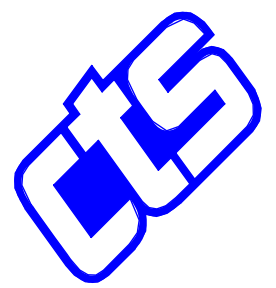

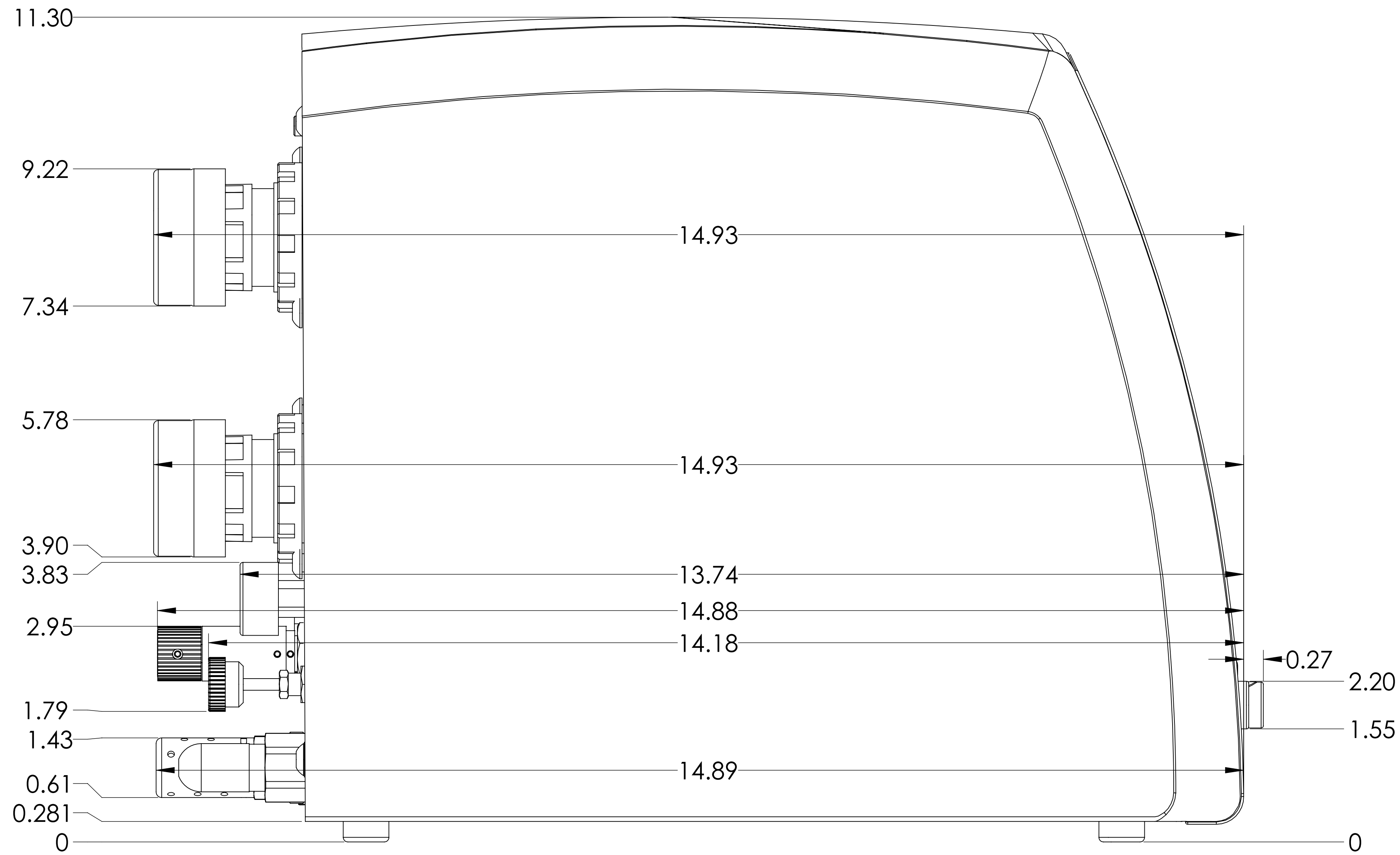
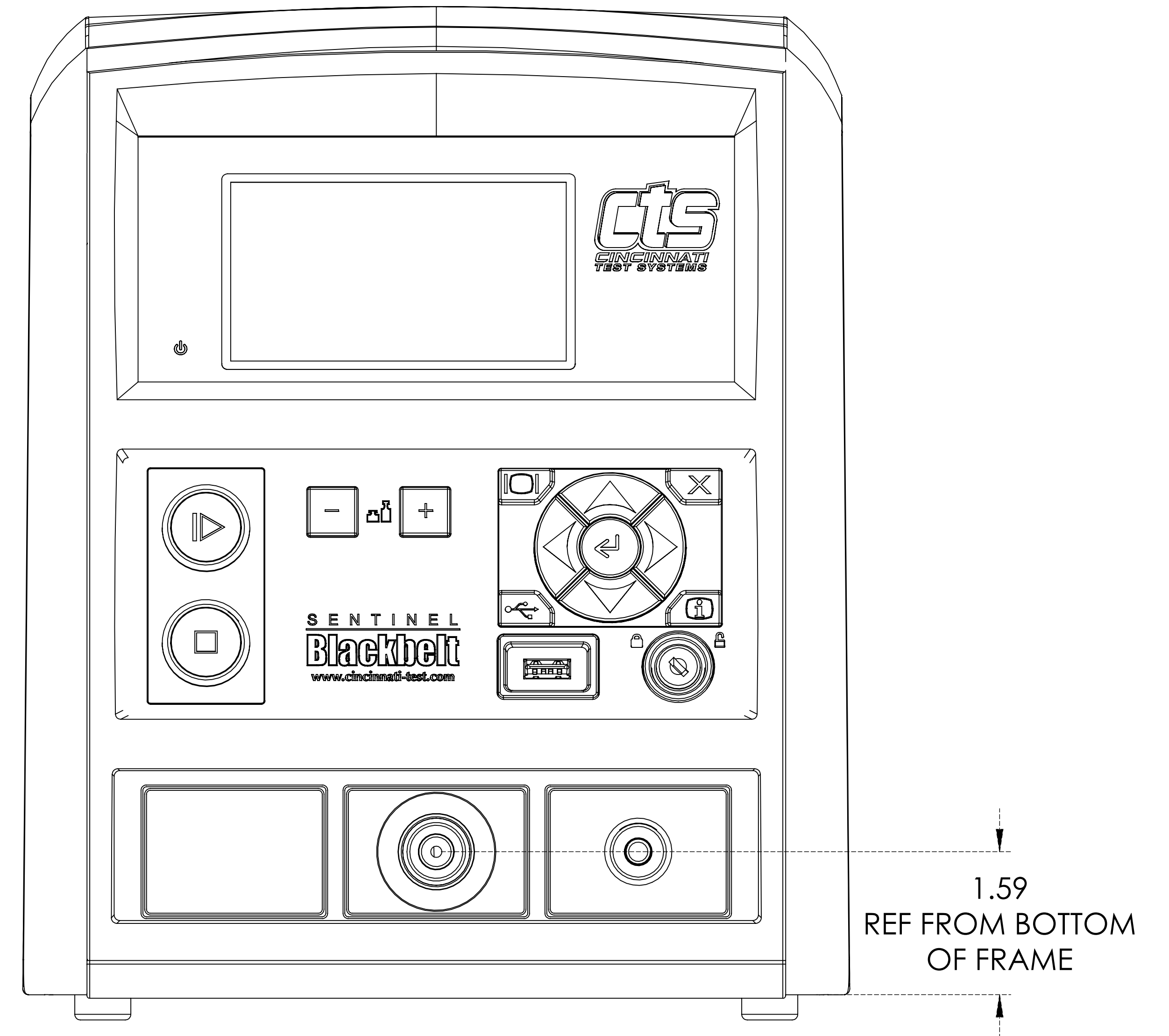


DESCRIPTION: <b>Blackbelt Base Assembly</b>		UNLESS OTHERWISE SPECIFIED BREAK ALL SHARP CORNERS			 5555 DRY FORK RD., CLEVELAND, OH 45002	
MATERIAL: -		TOLERANCES: 1 PLACE DECIMAL ± .050" [1.27mm] 2 PLACE DECIMAL ± .010" [0.25mm] 3 PLACE DECIMAL ± .003" [0.05mm] ANGULAR DIMS ± 0° 30'			CUSTOMER: <b>CTS R&amp;D</b>	
FINISH: -		INDICATES 500 MAXIMUM FINISH REQ'D ON SURFACES WITHOUT A SYMBOL		TITLE: <b>Assy,CTS,A12-286</b>		
QUANTITY: -		HEAT TREAT: -		SIZE DATE DWG NO. REV D 7/23/10 A12-286 H		
FILE LOCATION: -		DRILLED AND COUNTERBORED HOLE DIAMETERS: -.005" / +.015" [-0.13mm / +0.4mm]		SCALE: 1:1 SHEET 7 OF 8		



REF WITH COMPONENTS



REVISIONS				
ZONE	REV.	DESCRIPTION	DATE	APPROVED
	A	INITIAL RELEASE		

DESCRIPTION:  
**Blackbelt Base Assembly**

MATERIAL:  
-

FINISH:  
-

QUANTITY:      HEAT TREAT: -

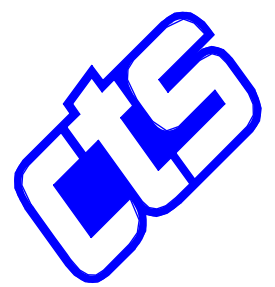
FILE LOCATION:

UNLESS OTHERWISE SPECIFIED  
BREAK ALL SHARP CORNERS

TOLERANCES:  
1 PLACE DECIMAL ± .050" [1.27mm]  
2 PLACE DECIMAL ± .010" [0.25mm]  
3 PLACE DECIMAL ± .003" [0.05mm]  
ANGULAR DIMS ± 0' 30"

INDICATES 125  
500 MAXIMUM FINISH REQ'D ON SURFACES WITHOUT A SYMBOL

DRILLED AND COUNTERBORED  
HOLE DIAMETERS:  
-.005" / +.015" [-0.13mm / +0.4mm]



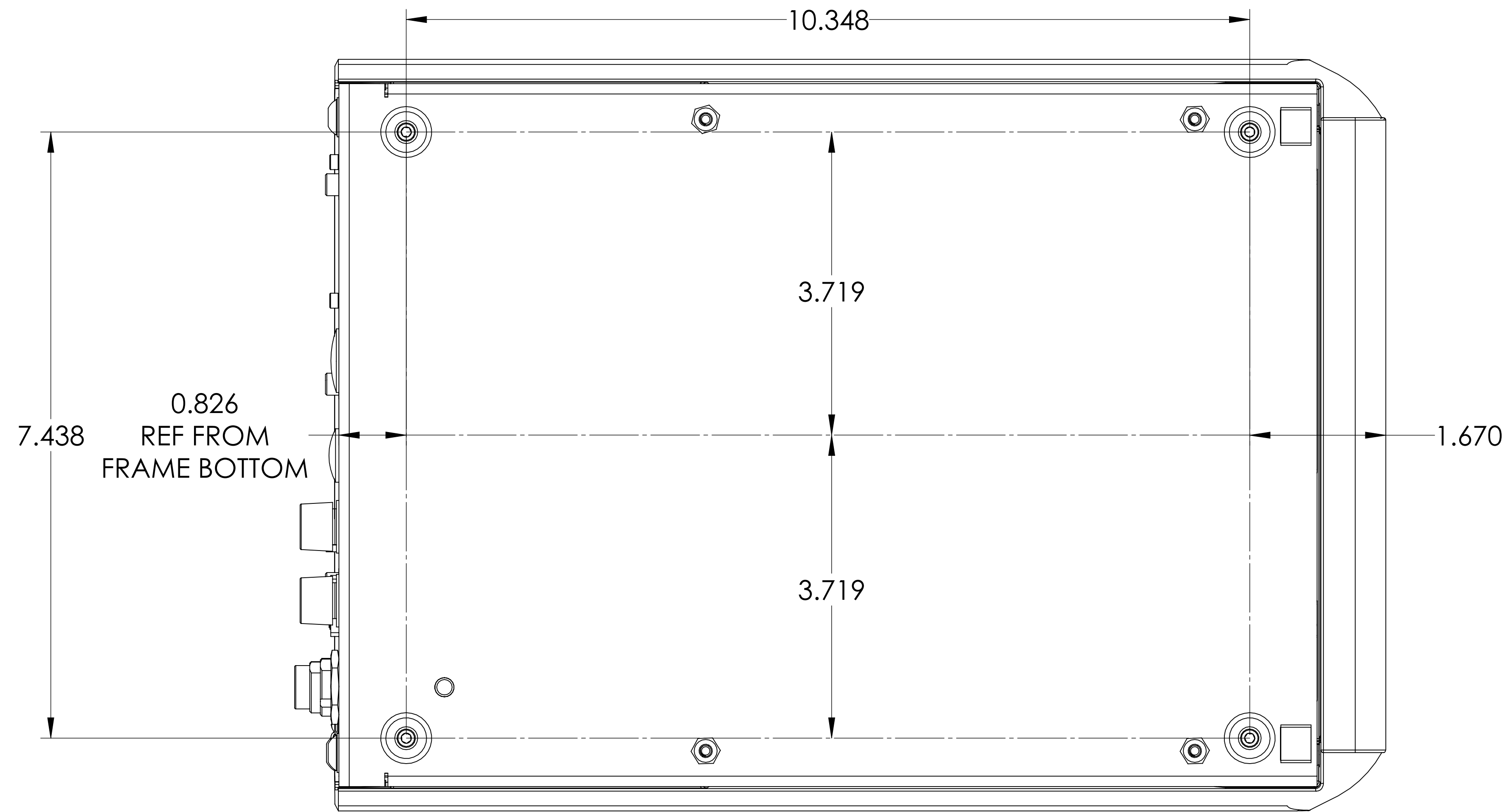
**CINCINNATI TEST SYSTEMS**  
5555 DRY FORK RD., CLEVELAND, OH 45002

CUSTOMER  
CTS R&D

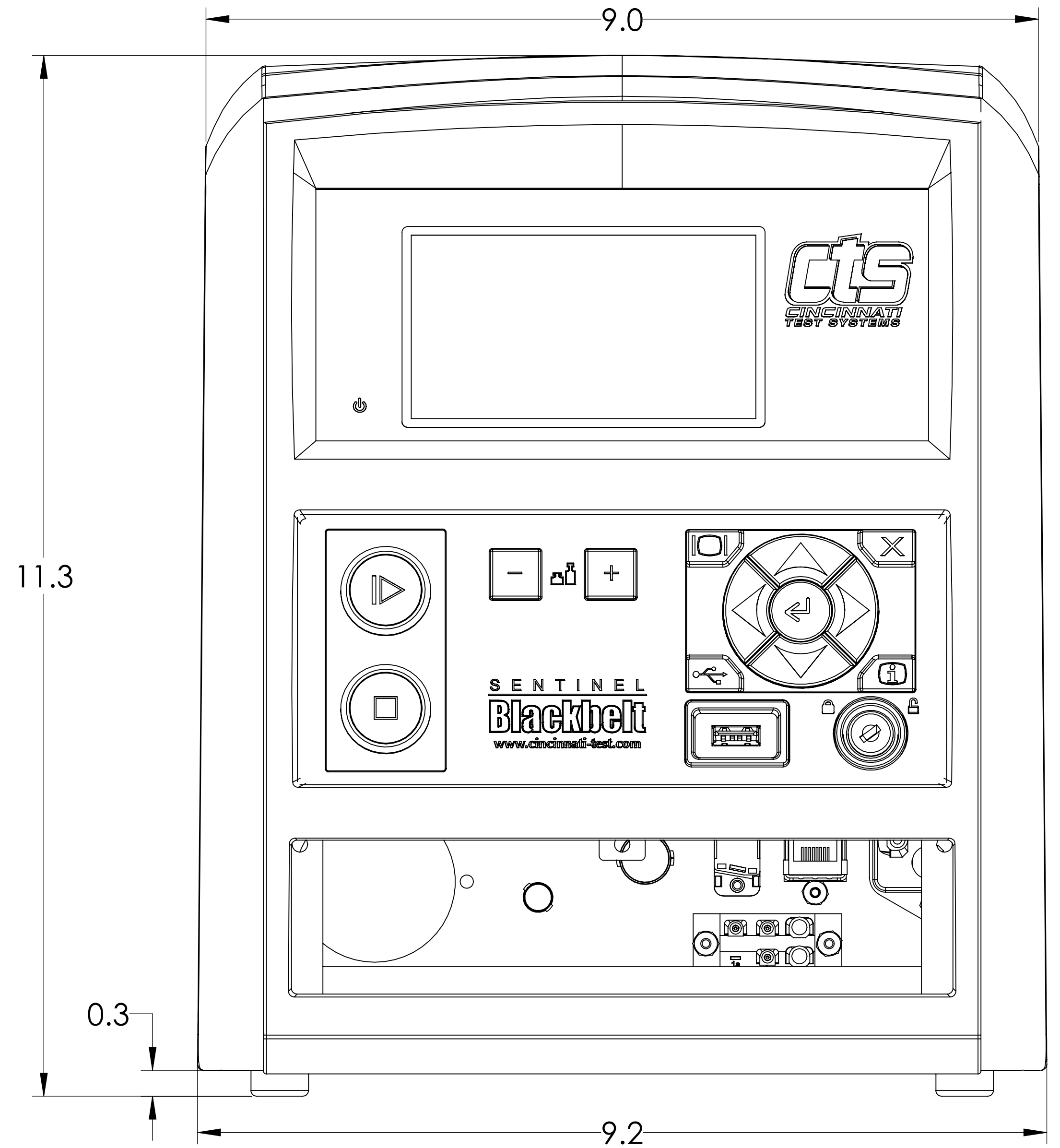
TITLE  
Assy,CTS,A12-286

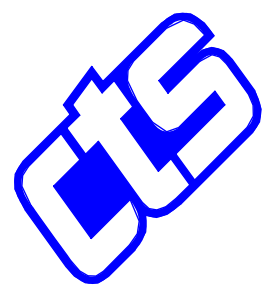

SIZE DATE DWG NO. REV  
D 7/23/10 A12-286 H

SCALE 1:1 SHEET 8 OF 8



BUMPER FEET LOCATIONS  
 4X #6-32  
 0.75" SCREW LENGTH CLEARANCE



DESCRIPTION: <b>Blackbelt Base Assembly</b>		UNLESS OTHERWISE SPECIFIED BREAK ALL SHARP CORNERS				 5555 DRY FORK RD., CLEVELAND, OH 45002	
MATERIAL: -		TOLERANCES: 1 PLACE DECIMAL ± .050" [1.27mm] 2 PLACE DECIMAL ± .010" [0.25mm] 3 PLACE DECIMAL ± .003" [0.05mm] ANGULAR DIMS ± 0° 30'		SolidWorks		CUSTOMER: CTS R&D	
FINISH: -		INDICATES 500 MAXIMUM FINISH REQ'D ON SURFACES WITHOUT A SYMBOL		DRAWN BY: JM		TITLE: Assy,CTS,A12-286	
QUANTITY: -		HEAT TREAT: -		CHECKED BY: JM		SIZE DATE DWG NO. REV D 7/23/10 A12-286 H	
FILE LOCATION: -		DRILLED AND COUNTERBORED HOLE DIAMETERS: -.005" / +.015" [-0.13mm / +0.4mm]		SCALE: 1:1		SHEET 6 OF 8	